

Regulator Gauge



Applications

Winter's Regulator Gauges are utilized for various Industrial and OEM applications where size and mounting constraints may exist (i.e. regulators, compressors, etc.). This corrosion resistant instrument features, 316 stainless steel wetted parts and a 304 stainless steel case.

Options: Other connection threads and pressure scales available.

| Product Codes | | | | | | |
|------------------------|---------------|---------------|-------------|-------------|-----------|-----------|
| Dial Size | 1 1/2" (40mm) | 1 1/2" (40mm) | 2" (50mm) | 2" (50mm) | 2" (50mm) | 2" (50mm) |
| Case Material | St/St | St/St | St/St | St/St | St/St | St/St |
| Connection | Bottom | Centre Back | Centre Back | Centre Back | Bottom | Bottom |
| NPT Connection Size | 1/8" | 1/8" | 1/8" | 1/4" | 1/8" | 1/4" |
| Movement, Socket, Tube | St/St | St/St | St/St | St/St | St/St | St/St |
| 30" Hg. Vac./kPa | * | * | * | * | * | * |
| 30"-0-15 psi/kPa | * | * | * | Q026 | * | Q017 |
| 30"-0-30 psi/kPa | * | * | * | * | * | * |
| 30"-0-60 psi/kPa | * | * | * | Q027 | * | Q018 |
| 30"-0-100 psi/kPa | * | * | * | Q028 | * | Q019 |
| 30"-0-160 psi/kPa | * | * | * | Q029 | * | Q020 |
| 0-15 psi/kPa | * | * | * | * | * | * |
| 0-30 psi/kPa | Q001 | Q005 | Q013 | Q030 | Q009 | Q021 |
| 0-60 psi/kPa | Q002 | Q006 | Q014 | Q031 | Q010 | Q022 |
| 0-100 psi/kPa | Q003 | Q007 | Q015 | Q032 | Q011 | Q023 |
| 0-160 psi/kPa | Q004 | Q008 | Q016 | Q033 | Q012 | Q024 |
| 0-200 psi/kPa | * | * | * | * | * | * |
| 0-300 psi/kPa | * | * | * | * | * | * |
| 0-400 psi/kPa | * | * | * | * | * | * |
| 0-600 psi/kPa | * | * | * | Q034 | * | * |
| 0-1000 psi/kPa | * | * | * | * | * | * |
| 0-2000 psi/kPa | * | * | * | * | * | * |
| 0-3000 psi/kPa | * | * | * | Q035 | * | Q025 |



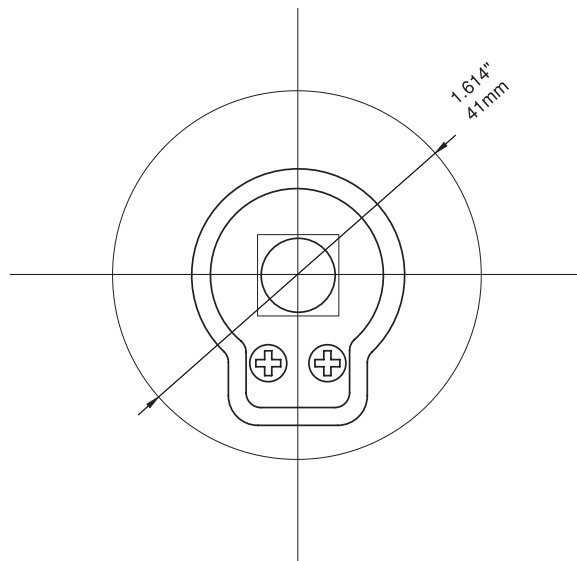
Regulator Gauge

| Specifications | |
|-------------------------------------|---|
| Dial: | 1 1/2" (40mm) & 2" (50mm) white aluminum with black and red markings. |
| Case: | 304 Stainless Steel |
| Lens: | Acrylic, push-in type |
| Pointer: | Aluminum, painted black |
| Socket: | 316 Stainless Steel |
| Connection: | 1/8" NPT or 1/4" NPT standard |
| Bourdon Tube: | 316 Stainless Steel |
| Movement: | 304 Stainless Steel |
| Welding: | Silver alloy |
| Over-pressure Limit: | 25% of full scale value |
| Working Pressure: | Maximum 75% of full scale value |
| Ambient/Process Temperature: | -40°F to 150°F (-40°C to 65°C) |
| Accuracy: | +/- 2.5% ANSI/ASME Grade B |
| Protection: | IP52 |

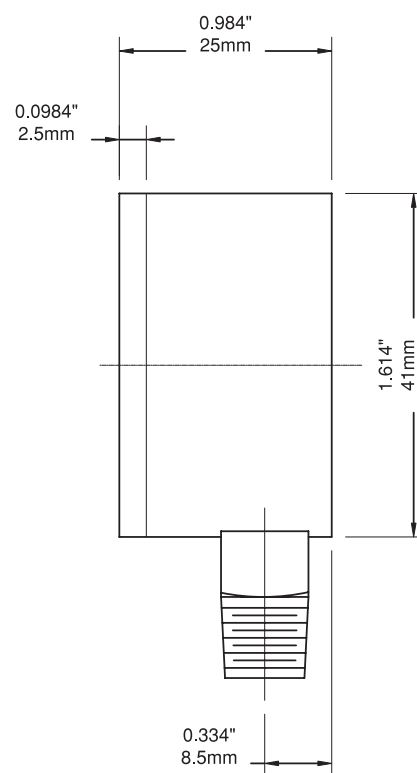
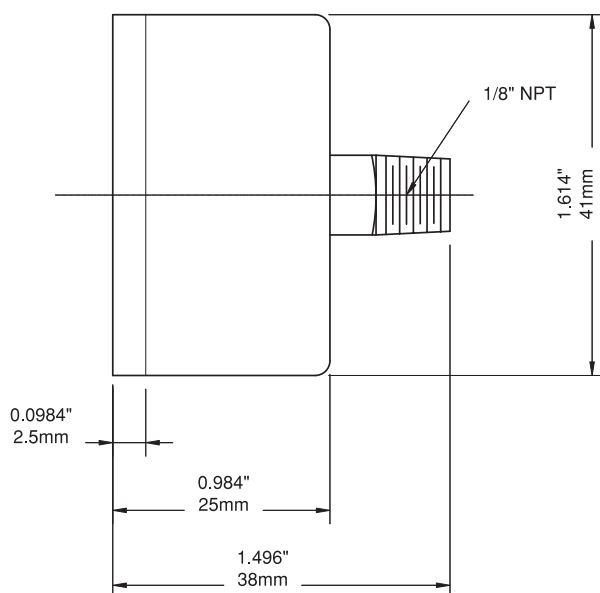
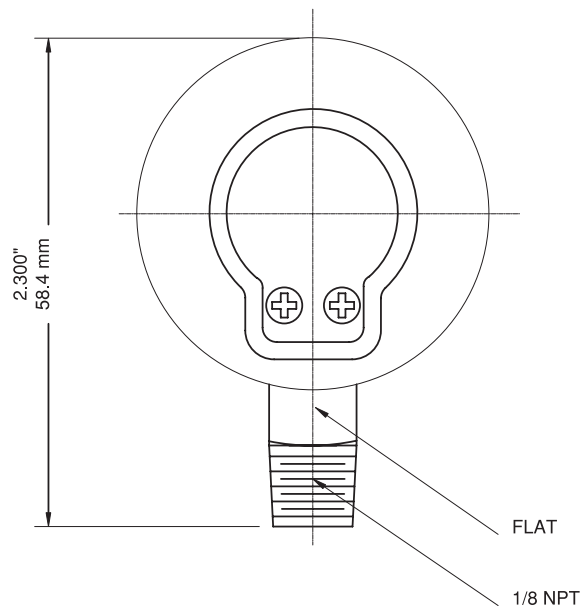


Regulator Gauge

1.5" Back Connection

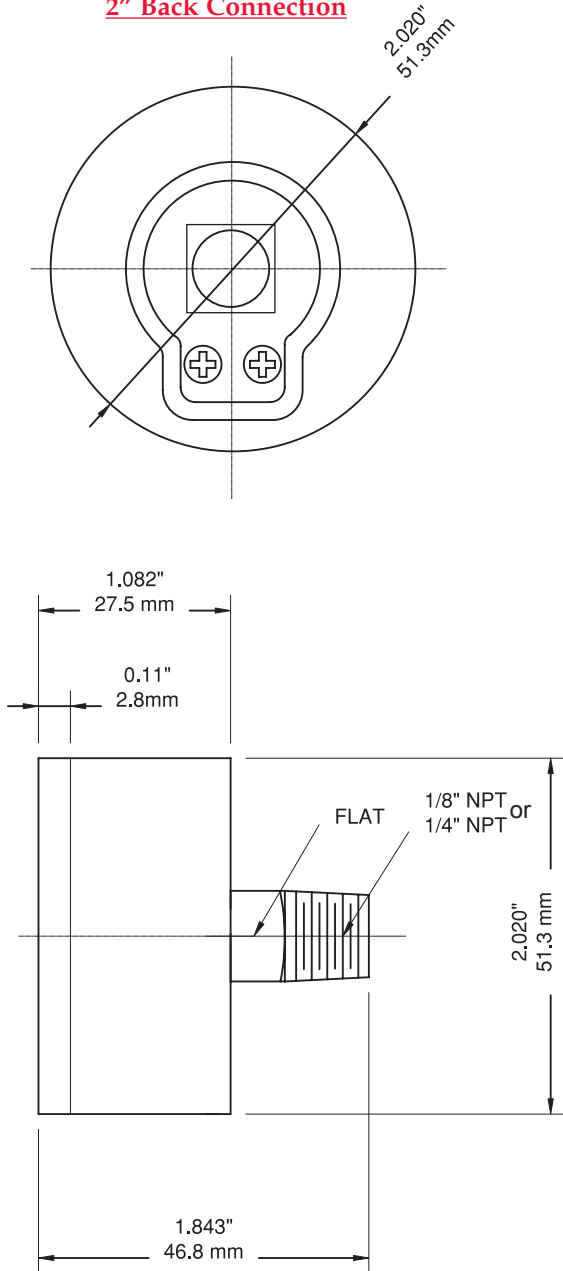


1.5" Bottom Connection



Regulator Gauge

2" Back Connection



2" Bottom Connection

