

## Features

- NACE MR-0175 compliant.
- Ambient temperature range; -45°C to 52°C (-50°F to 125°F)
- 2-way normally closed operation.
- For gas pilot control of commercial and industrial gas burners.
- Direct lift with resilient soft seating for tight shutoff.

## Construction

Valve Parts in Contact with Fluids	
Body	316 Stainless Steel
Seals and Discs	Viton®
Core Tube	305 Stainless Steel
Rider Ring	Teflon®
Core and Plugnut	430F Stainless Steel
Springs	Inconel

Viton & Teflon are registered trademarks of DuPont Co.

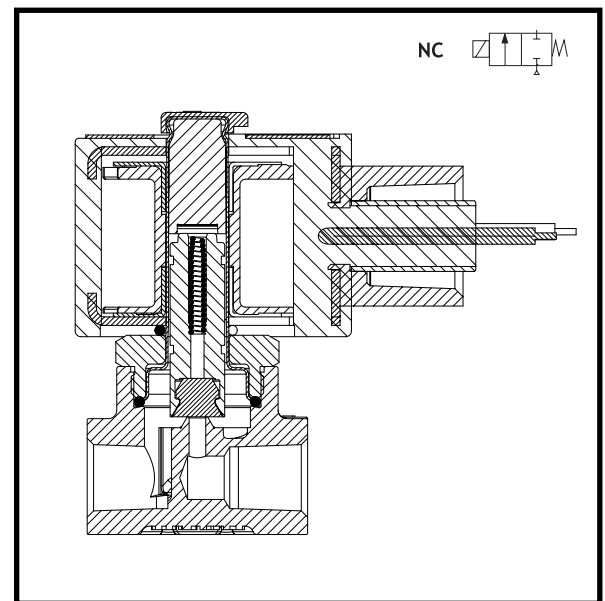
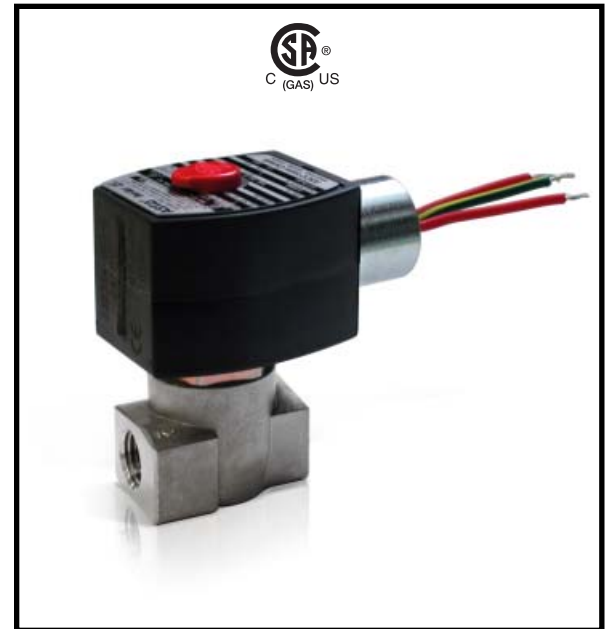
## Electrical

Standard Coil Class of Insulation	Watt Rating and Power Consumption		Nominal Ambient Temp. °C (°F)
	DC	Watts	
F	4		-45 to 52°C (-50 to 125°F)

**Standard Voltage:** 12, 24 VDC

## Solenoid Enclosures

**Standard:** Explosionproof and Watertight Types 3, 3S, 4, 4X, 6, 6P, 7, and 9.



## Approvals

CSA Certified to:

- 1) Valves for Hazardous Locations, File 013976.
- 2) Automatic Gas Valves Z21.21 (6.5), File 112872.
- 3) Automatic Gas Safety Shutoff Valves, File 112872.
- 4) Standard C22.2 No. 139 "Electrically Operated Valves", File 010381.

### Specifications

Pipe Size (ins.)	Orifice Size (ins.)	CV Flow	Gas Capacity ①	Operating Pressure Differential (psi)		Fluid Temp. Range °C (°F) ②	Catalogue Number	Const. Ref.	Agency			Wattage
			Btu/hr.	Min.	Max.				UL	FM	CSA	
<b>COMBUSTION (Fuel Gas) - NORMALLY CLOSED (Closed when de-energized)</b>												
1/4	1/8	.34	15,000	0	35	-40 to 52°C (-40 to 125°F)	287776-001	1	-	-	○	4

○ = Safety Shutoff Valve.  
 ① 1" W.C. Drop @ 2" W.C. Inlet Pressure, 1, 000 Btu/cu.ft. or more, 0.64 Specific Gravity Gas.  
 ② Dewpoint - To prevent freezing of condensed water vapor in the valve, the fuel gas must have a dewpoint at least 8°C (10°F) below the minimum temperature to which any point of the system will be exposed.

### Dimensions: inches [mm]

